



A1

Plus

Mini-ITX Tower

User Manual

Product Story

The A1 PLUS offers upgrades to the beloved A1 chassis.

The A1 PLUS retains its distinguished classy aesthetics with the return of quality materials such as: tempered glass, aluminium and steel. Minimalism never looked so exquisite!

The A1 PLUS features addressable RGB lighting, that offers diversified color schemes by customizing each individual light. The square structure provides hassle-free installation, and the capacity to house powerful hardware despite its compact size.

An InWin 650W, 80 PLUS Gold PSU is prebuilt within the A1 PLUS with cables already managed. The A1 PLUS also comes with two Sirius Loop addressable RGB fans, and an enhanced Qi 1.2 10W charging panel to charge your mobile devices!



Specifications

A1 PLUS CASE

Model	A1 PLUS
Part Number	IW-A1PLUS-BLACK IW-A1PLUS-WHITE IW-A1PLUS-PINK
Colors	Black, White, Pink
Case Type	Mini ITX Tower
Case Materials	SECC, Tempered Glass
M/B Compatibility	Mini-ITX
Expansion Slots	PCI-E x 2
Maximum Compatibility	VGA Card Length: 320mm CPU Heatsink Height :160mm
Front Ports	2 x USB 3.0 HD Audio
Internal Drive Bays	2 x 2.5"
Thermal Solution	1 x 120mm Side Fan
Compatibility	1 x 120mm Rear Fan / 120mm Radiator 2 x 120mm Bottom Fans
Power Supply	InWin 650W PSU Included ATX12V V2.4
Compatibility	
Product Dimensions (H x W x D) with screw & handle height	273 x 224 x 357mm
Product Dimensions (H x W x D)	231 x 210 x 343mm
Package Dimensions (H x W x D)	344 x 295 x 414 mm
Net Weight	7.1 kg/ 15.7lbs
Gross Weight	7.9 kg/ 17.5lbs

- InWin products comply with RoHS regulation.
- Specifications may vary based on different regions.

InWin 650W 80PLUS Gold PSU

Model	IW-GD650PS
Total Power	650W
Material	SECC
Type	ATX12V V2.4
PFC	Active PFC
Efficiency	80 PLUS Gold
MTBF (Hours)	> 100,000
AC Input	100 – 240Vac. 50-60Hz
Fan	120mm
Operating Temperature Range(°C)	0~40°C
Full Protection	OCP/OVP/UVP/SCP/OTP/OPP
Safety Certifications	TUV/cTUVus/BSMI/CB/CE/FCC/EAC/RCM /KCC/CCC
Dimensions(L x W x H)	140 x 150 x 86 mm
Warranty	5 Years
Connectors	Motherboard 24-pin 1
	CPU 4+4-pin 1
	PCIE 6+2 pin 2
	Peripherals 0
	SATA 3
	Floppy Power 0

- InWin products comply with RoHS regulation.
- Specifications may vary based on different regions.

InWin Sirius Loop Fans

Model	Sirius Loop ASL120
Fan Size	120 x 120 x 25mm
Materials	PBT
Rated Voltage	DC 12V
Rated Power	1.2W
Rated Current	0.1A
ADD RGB Rated Voltage	DC 5V
ADD RGB Rated Power	1.25W
ADD RGB Rated Current	0.25A
Speed Mode	PWM 500-1800 RPM
Air Flow	50 CFM
Air Pressure	1.67mm/ H2O
Connector	4-Pin
Noise Level	27 dB(A) Max.
Bearing Type	Long Lifespan Sleeve Bearing
Life Expectancy	>30,000 hrs

- InWin products comply with RoHS regulation.
- Specifications may vary based on different regions.

Package Content

- A1 PLUS Chassis
- InWin 650W 80PLUS Gold PSU
- InWin Sirius Loop fans x 2
- Fan RGB One-Click Controller x 1
- QR Code Card
- Accessory Bag

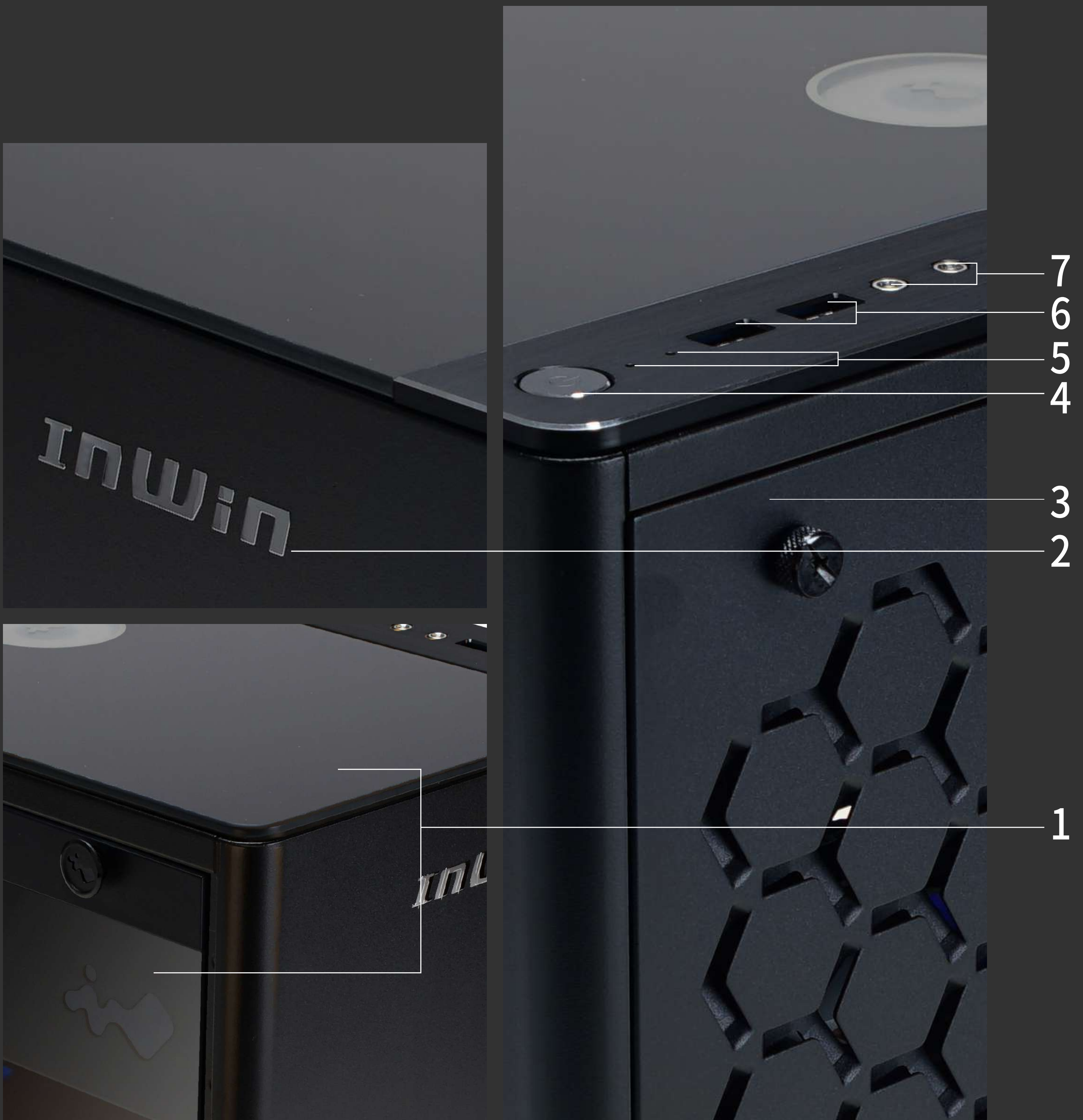


Accessories Bag

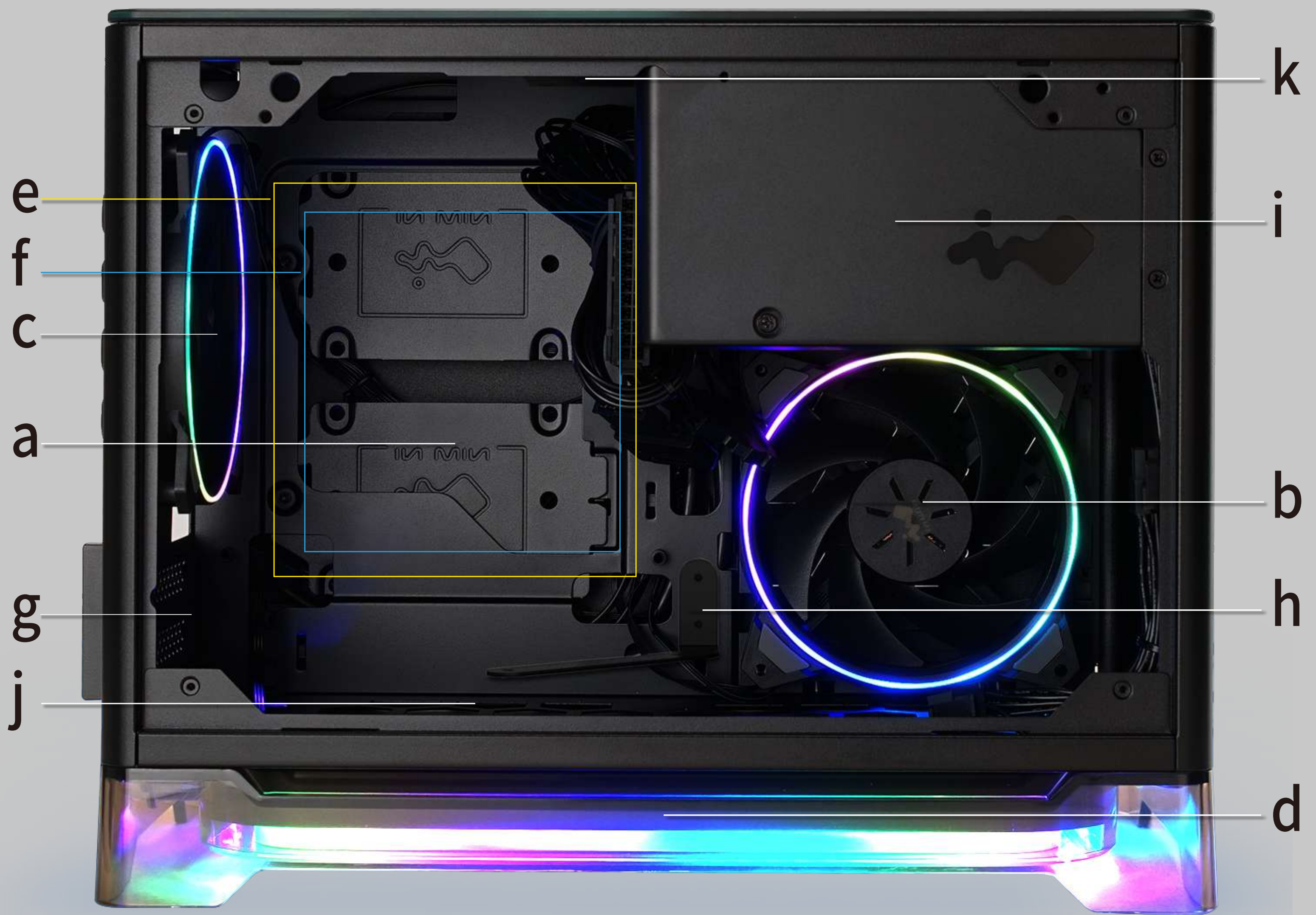


- a. Hexagon Head Screws X 8
- b. 2.5" HDD Screws X 10
- c. Graphic Card Holder X 1
- d. Cable Ties X 5
- e. Anti-Slip Strips X 4
- f. LED 3-Pin Header X 3
- g. Fan RGB One-Click Controller X 1

Case Structure



- 1.** Tempered Glass
- 2.** Logo
- 3.** SECC Front/ Side Panel
- 4.** Power Button
- 5.** HDD/Power LED indicator
- 6.** USB 3.0 Ports
- 7.** Audio Ports (Earphone and Microphone)



a. 2.5 Drive Bay

b. Side Fan Mounting Area

c. Rear Fan/ Radiator Mounting Area

d. Bottom Fan Mounting Area

e. Motherboard Mounting Area

f. CPU Cooler Installation Cut-Out Hole

g. PCI-E Expansion Slot

h. Extra PCI-E Supporting Mounting Hole

i. Power Supply Area

j. Fan Dust Filter

k. Wireless Mobile Device Charging Area

Installation Guide

Please follow the related chapters to assemble



01

Opening the Chassis

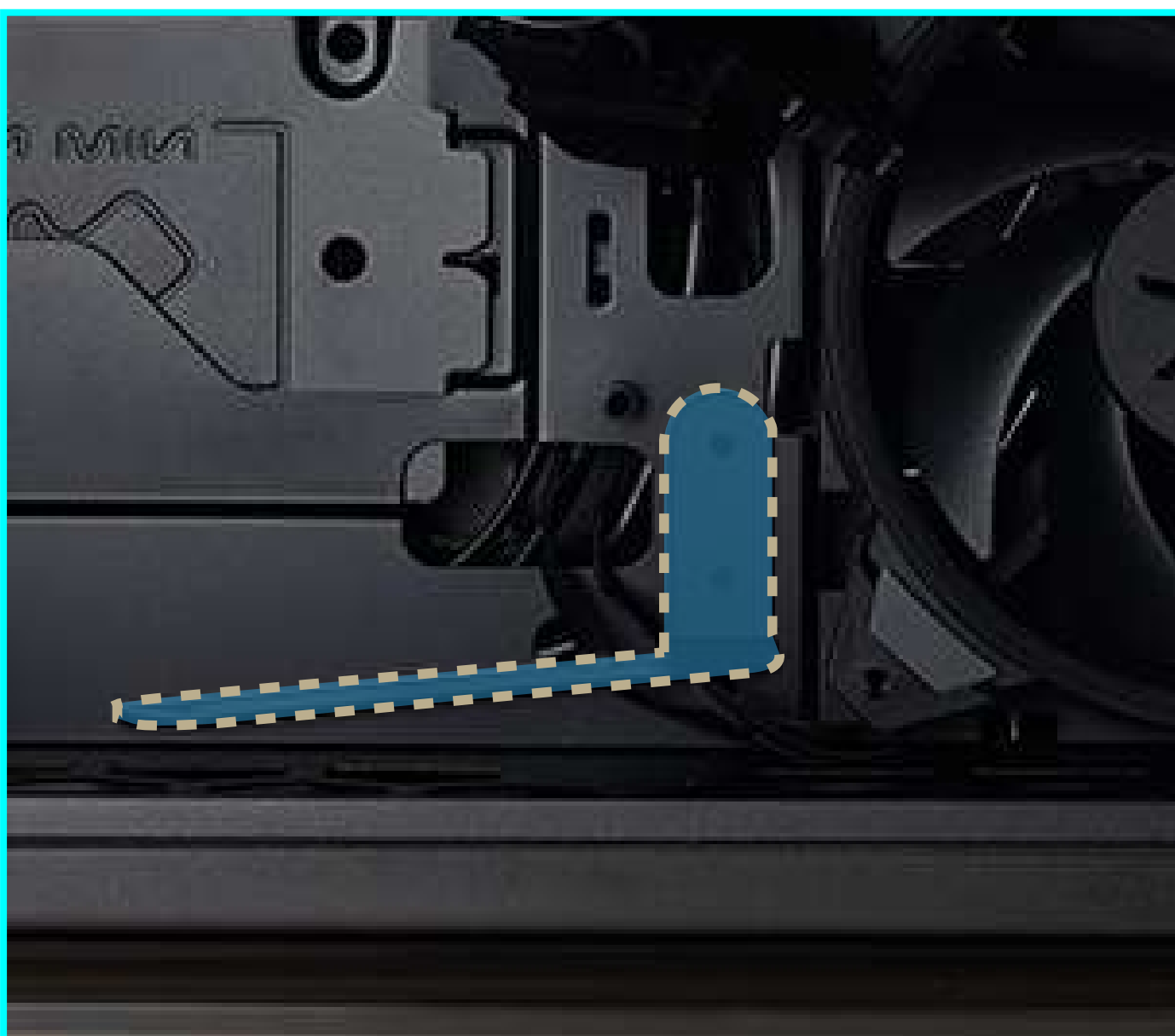
For the side panel, please pull the two tool-less tabs and lift up.



02

Motherboard Installation

Parts Required: Hexagon Head Screws



03

Expansion Card Installation

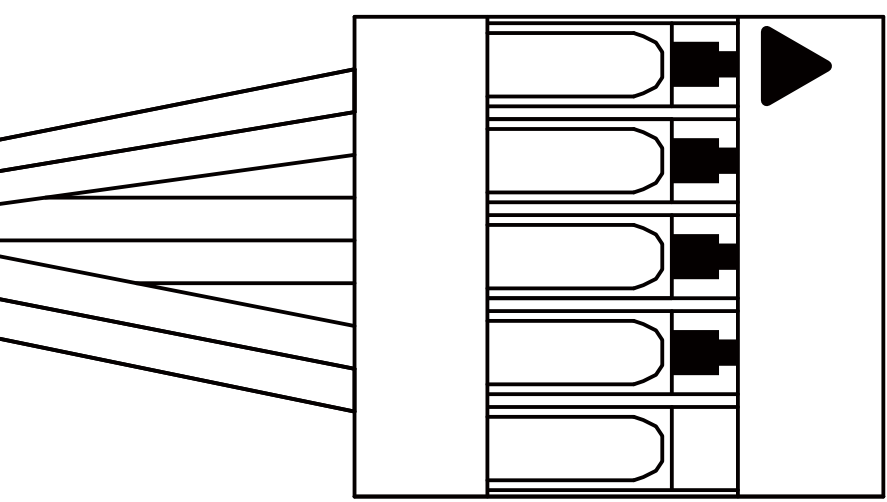
Parts Required:
Hexagon Head Screws,
Graphics Card Holder



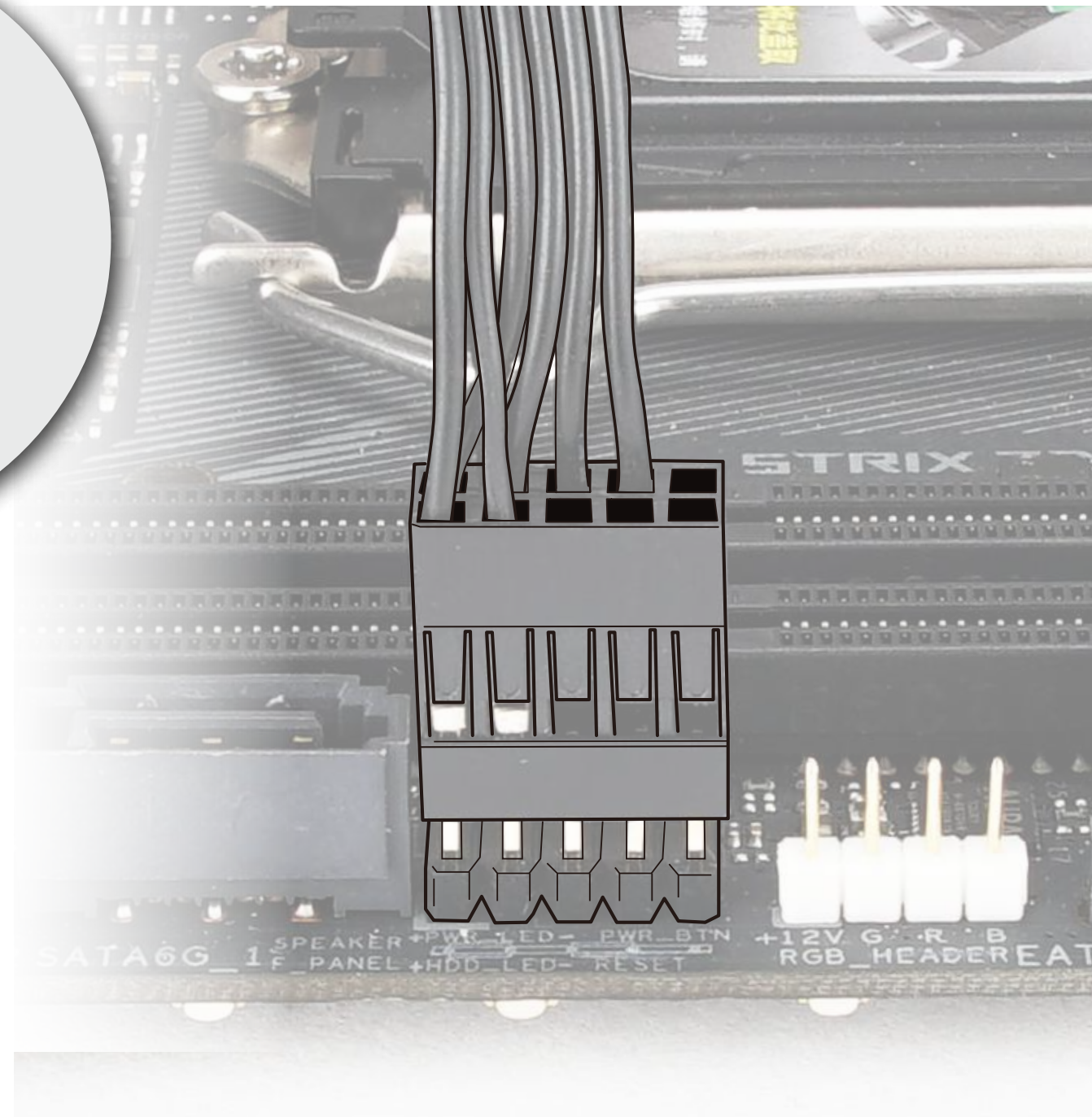
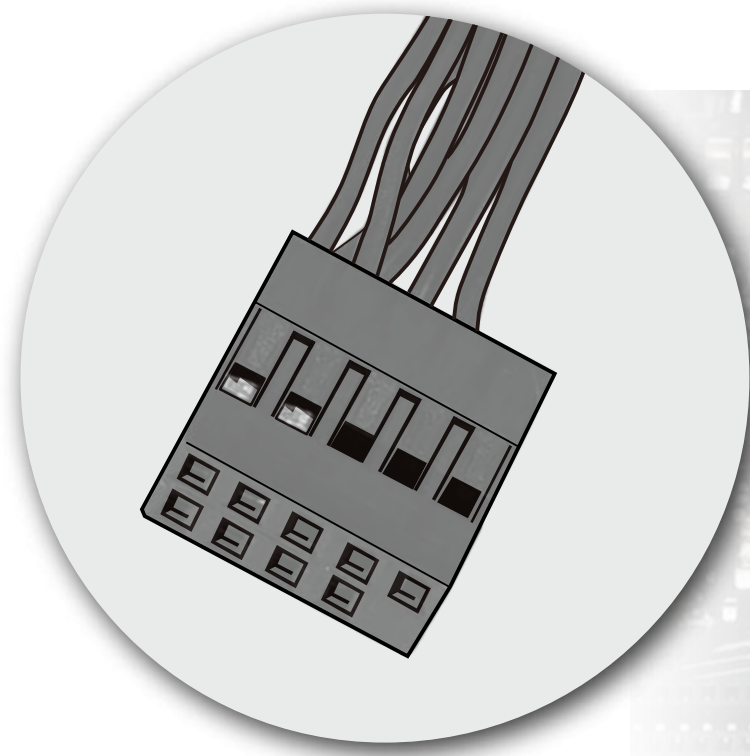
04

I/O Wires Installation

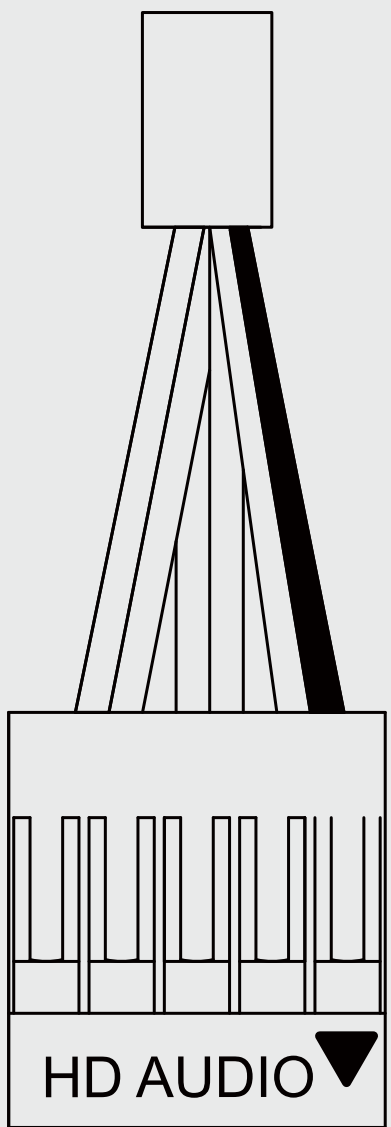
Switch/LED Connector



Blue(P_LED) 1	2 Red (HDD)
White(P_LED) 3	4 White (HDD)
Brown(P_SW) 5	6 NC
White(P_SW) 7	8 NC
Key 9	10 NC

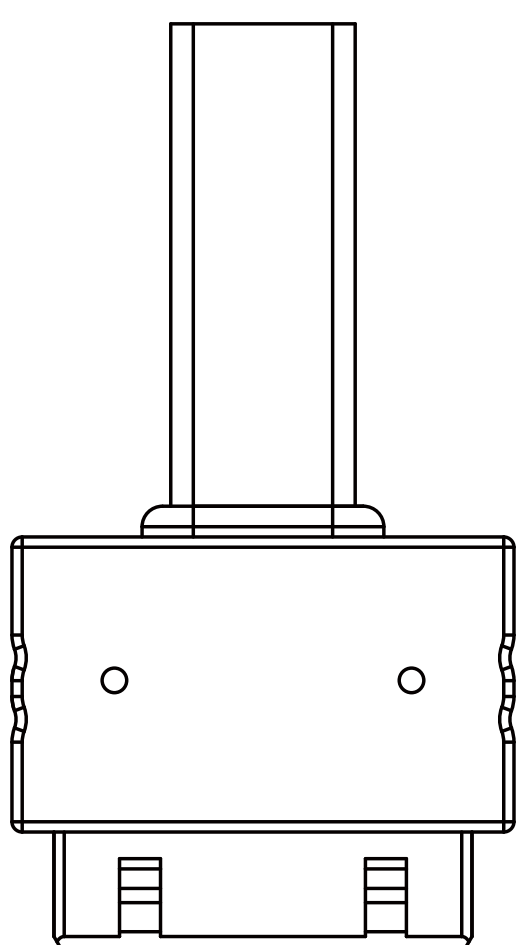


HD Audio Header



PORT2_L	BLUE	10	9 BROWN	SENSE2_R
SENSE_SEND	PURPLE	8	7	KEY
PORT2_R	YELLOW	6	5 WHITE	SNSE1_R
PORT1_R	RED	4	3 ORANGE	PRESENCE#
PORT1_L	GREEN	2	1 BLACK	GND

USB3.0 Header



PIN#1	Vbus 1	PIN#19
	IntA_P1_SSRX- 2	19 Vbus
	IntA_P2_SSRX+3	18 IntA_P2_SSRX-
	GND 4	17 IntA_P2_SSRX+
	IntA_P1_SSTX- 5	16 GND
	IntA_P1_SSTX+6	15 IntA_P2_SSTX-
	GND 7	14 IntA_P2_SSTX+
	IntA_P1_D- 8	13 GND
	IntA_P1_D+9	12 IntA_P2_D-
	ID USBOC-10	11 IntA_P2_D+
PIN#10		PIN#11

05

2.5" Drive Bays Installation

Parts Required: 2.5" HDD Screws



06

Fan/ Liquid Cooling Radiator Installation

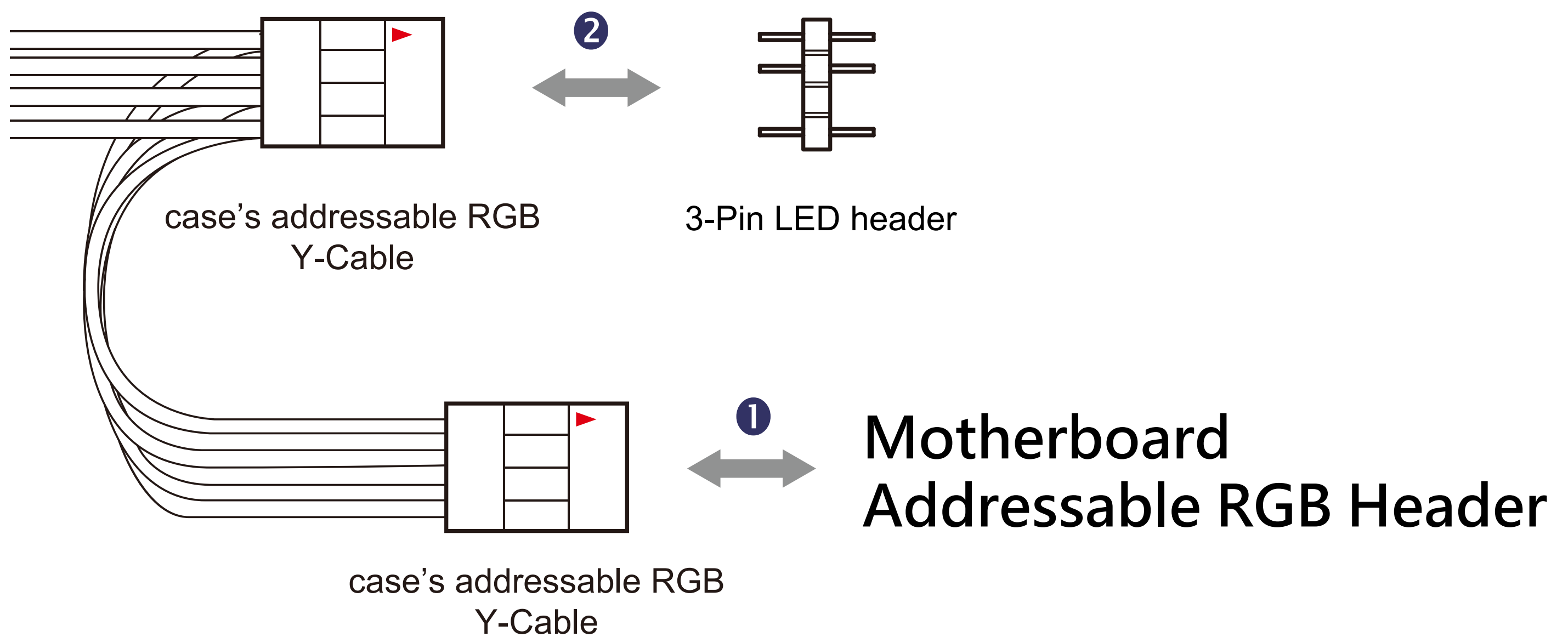


07

Addressable RGB-Cable Installation

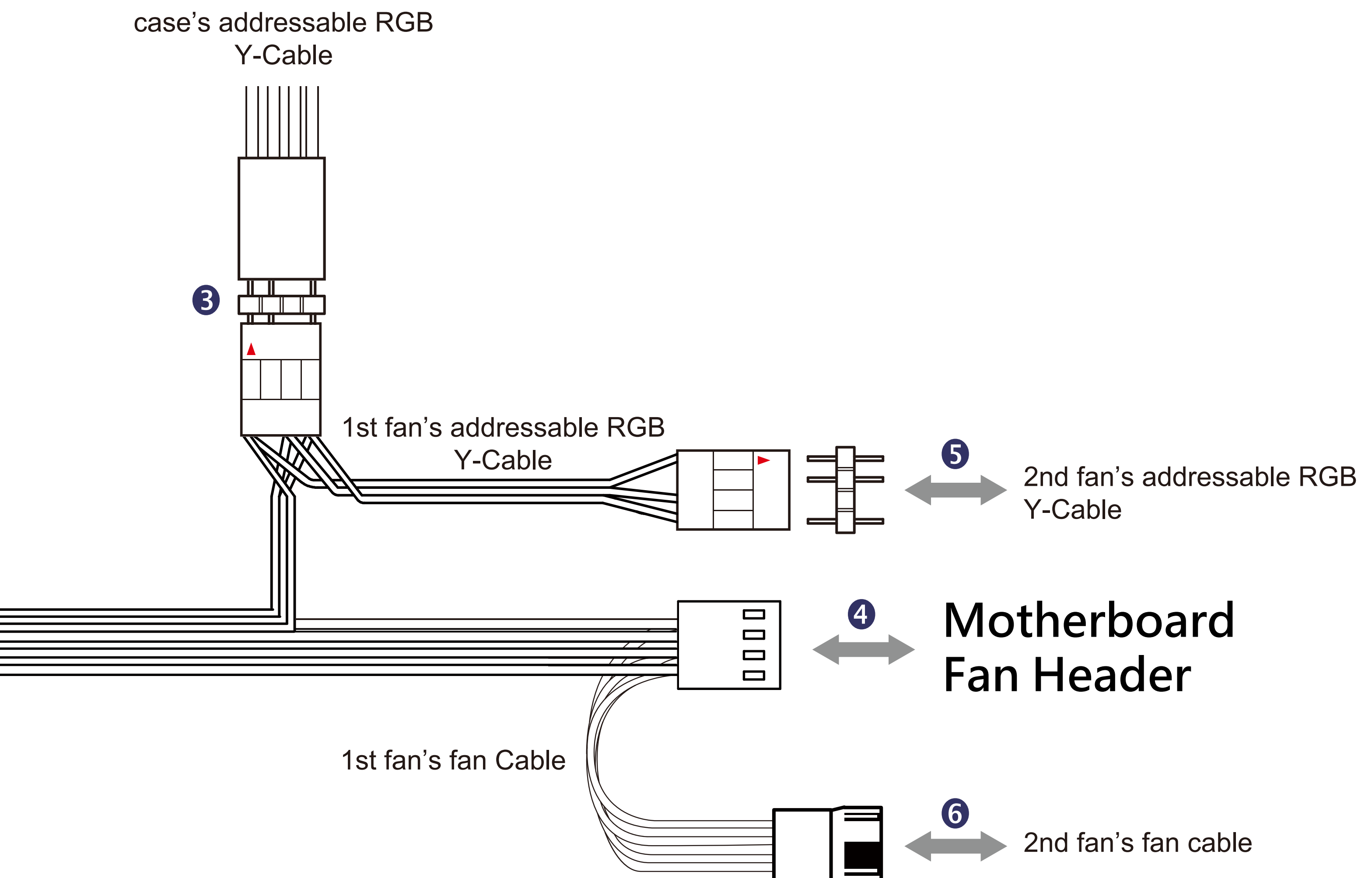
If your motherboard supports the addressable RGB effect, please follow the direction of sign and connect as followed:

- 1 Connect the case's addressable RGB Y-Cable to a motherboard's addressable RGB header.
- 2 Please install the 3-pin header to the available addressable RGB header of the case.

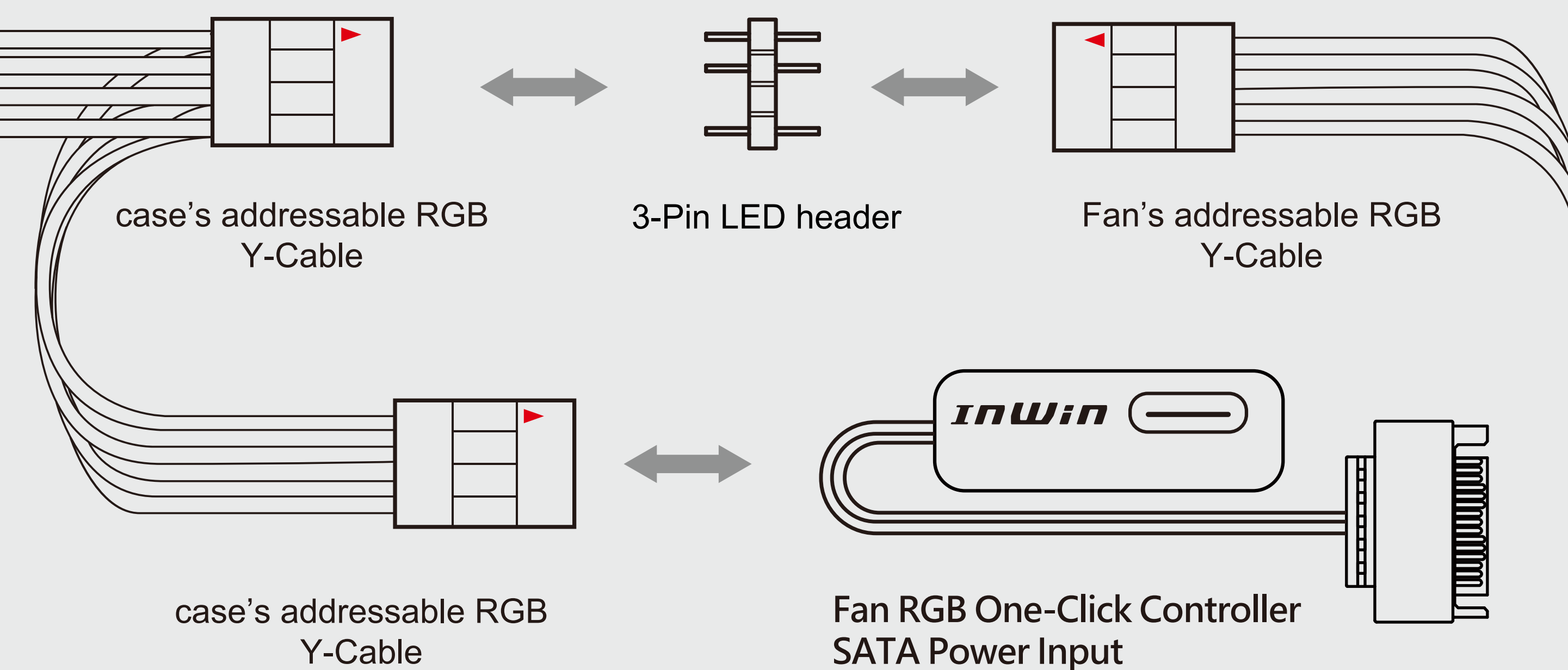


The fan cable, addressable RGB Y-cable and their counterparts are attached to each. Please connect as followed:

- 3 4 Installing the 1st fan: Connect the addressable RGB Y-cable to the available 3-pin addressable RGB header of the case. Connect the fan cable to the motherboard's fan header.
- 5 6 Installing the 2nd fan: Connect the addressable RGB Y-cable and connect it to the available 3-pin addressable RGB header of the previous fan. Connect the fan cable to the available fan header from the previous fan.



If your motherboard does not support an addressable header, please use the included Fan RGB One-Click Controller to connect to your PSU's SATA cable and the case's Addressable RGB Y-Cable in order to use the 11 different lighting effects.



Hold the button to turn on or off the lights. Tap the button to change the lighting modes.

1	Rainbow	7	Diagonal Transition
2	Breathing	8	LED-Red
3	Full Circle	9	LED-Green
4	Two-Tone Ring	10	LED-Blue
5	Light at the end of the Tunnel	11	LED-White
6	Rotating LED Trio		

*InWin reserves the right to change the lighting modes.

08

Anti-Slip Strips Installation

Parts Require: Anti-Slip Strips

Remove the strip covers and place them under each corner.



09

Completing Installation

Parts Required: Cable Ties



A1
Plus
Mini-ITX Tower

Notices and Warranty

■ Notices

1. Please follow the user manual for installation guidelines.
2. When installing the computer components, please use antistatic precautions to prevent ESD (electrostatic discharge) damage. Failure to take the necessary precautions may result in injury to the installer and/or damage to the machine. Incorrect installation may burnout the motherboard and other system components.
3. To avoid any damages, please do not use this product for any other purpose than its intended use.
4. Any modifications may damage the product.
5. Please remove all internal devices before shipping or moving.
(Including power supply, hard drives, CD-ROM, motherboard, CPU, etc.)
6. When storing the case, please keep this product away from high temperatures. Keep away from machines such as heaters that might cause high temperatures.
7. Please do not put anything in the impeller.
8. Please do not touch the fan blades when the fan is in operation. Please only use your fan in the computer case.
9. Please avoid unnecessary insertions and extractions to the addressable cable as it may damage the pins.

■ Warranty

- * For more detailed warranty information, please visit the InWin retail website at www.in-win.com.
- * The actual product is subject to change without prior notice. InWin Development Inc. reserves the right to make final modifications.

IW-WT02

InWin IW-WT02 Wireless Charger User Manual

Specifications

Input

5V/2A or 12V/1.8A

Output

Support Qi 5V/1A (OUTPUT:5V/2A),
7.5W / 10W Fast Charging (OUTPUT :12V/1.8A)

Power Transfer Efficiency

78%

Product Dimensions (HxWxD)

72 x 49 x 8mm

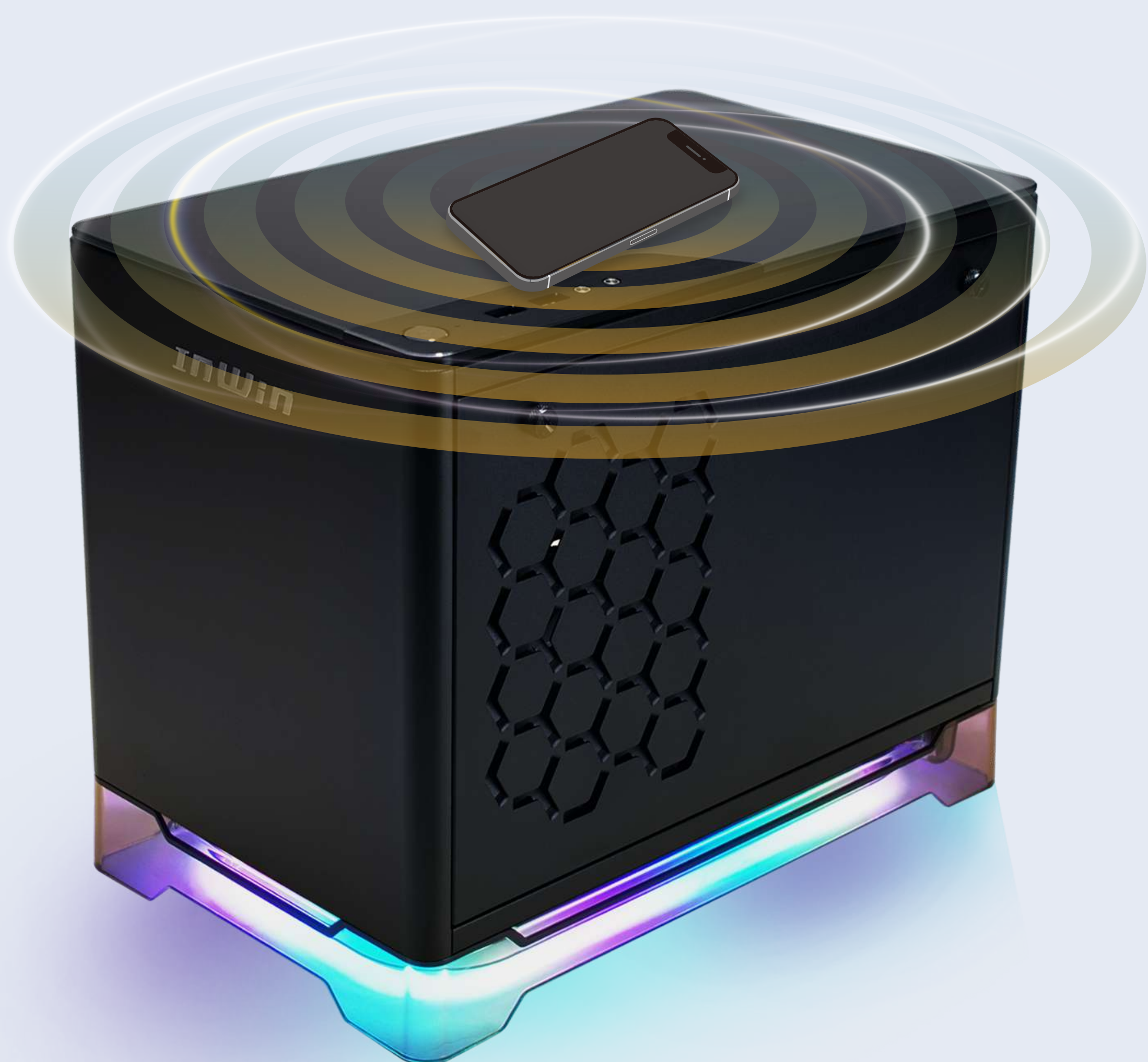
Warranty

1-year limited warranty

(Effective date based on the purchasing date from consumers)

User Guide

1. Please make sure the power is connected.
2. Place the mobile device on the charging platform on the top panel. Charging will begin after a “beeping” sound.



■ Note to use

1. To avoid any computer and computer-related component damage, please use IW-WT02 on InWin approved products.
2. To indicate that the mobile device battery is at a full charge, the platform will continuously beep. To cease the beeping sounds, simply remove the device.
3. Please check if the receiver is compatible with WPC Qi.
The full compatibility list can be found in the IW-WT02 user manual.

Wireless charger compatibility list

- Apple iPhone 8, 8+, XR, XS, XS Max
- Samsung Note5, S6, S6 edge+, S7, S7 edge, S8, S8+, Note 8, S9, S9+, Note 9
- Nokia 8 Sirocco
- LG V30S, V30+, G7+ ThinQ
- Huawei Mate 20, Mate 20 Pro
- Sony XZ2, Xperia XZ2 Premium, XZ3
- Sharp AQUOS S3
- Google Pixel 3, Pixel 3 XL
- 小米 MIX 2S, MIX 3



CONTEMPORARY & INNOVATIVE
www.in-win.com