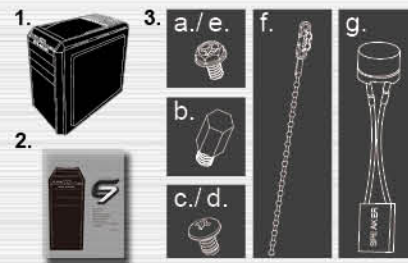


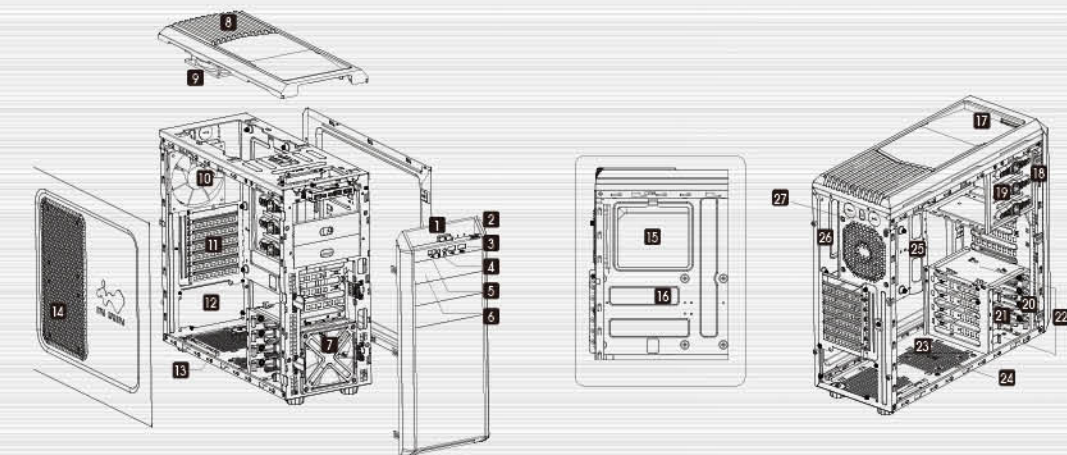
Package Content

- 1.G-7 Case x 1
- 2.User Manual x 1
- 3.Accessories Bag x 1:
 - a Motherboard / Add-on Card Screw x 11
 - b Motherboard Standoff x 3
 - c ODD Screw x 4
 - d 2.5" HDD Screw x 6
 - e Power Supply Screw x 4
 - f Cable Tie x 3
 - g Buzzer x 1



Case Structure

- 1 Power Button
- 2 Fan Speed Controller
- 3 USB 3.0 Port
- 4 Audio Ports (Earphone and Microphone)
- 5 USB 2.0 Port
- 6 5.25" Drive Bay Cover
- 7 120mm Front Fan Mounting Area
- 8 Top Cover Venting Hole
- 9 120mm Top Fan Mounting Area
- 10 120mm Rear Fan Mounting Area
- 11 PCI-E Expansion Slot
- 12 Power Supply Mounting Area
- 13 PSU Dust-free Mesh
- 14 120mm Side Fan Mounting Area
- 15 Quick CPU Cooler Installation Cutout Hole
- 16 Motherboard Mounting Area
- 17 SATA HDD/SSD EZ-Swap Dock
- 18 External 5.25" Drive Bay
- 19 Tool-free Mounting Clip for 5.25" Devices
- 20 Internal 3.5"/2.5" Drive Bay
- 21 3.5"/2.5" HDD tray
- 22 2.5" HDD Cage
- 23 120mm Bottom Fan Mounting Area
- 24 Bottom Fan Air Filter
- 25 Cable Arrangement Area
- 26 I/O area
- 27 Water-Cooling Hole



Specifications

Case Size	Mid Tower
Material	0.6mm SECC Steel
Drive Bays	• External 3.5"/2.5" x 4, 2.5" x 2 • Internal 3.5"/2.5" x 4, 2.5" x 2
M/B Form Factor	ATX / Micro-ATX
Power Supply	ATX 12V, PSII Size
I/O Expansion Slots	PCI-E / PCI / AGP Slot x 7 (Supports up to 408mm)
Top Port	3.5"/2.5" SATA HDD EZ-Swap x 1
Front Port	• USB 3.0 x 1 (Internal Connector) • USB 2.0 x 2 • HD Audio • Fan Speed Controller
Thermal Solution	Supports up to Total 120mm Fan x 7 (Different Regions May Carry Different Specification) • Front - Supports up to 120mm x 2 • Rear - Supports up to 120mm Fan x 1 • Side - Supports up to 120mm Fan x 2 • Top - Supports up to 120mm Fan x 1 • Bottom - Supports up to 120mm Fan x 1 • Water-Cooling Hole Ready
Dimensions (H x W x D)	461 x 198 x 479mm (18.1" x 7.8" x 18.9")

* Product specifications are subject to change without prior notice.

Notices and Warranty

❖ Notices

1. Please follow the user manual for installation.
2. While installing the computer components, please use the antistatic precautions to prevent ESD (electrostatic discharge) damage. It can cause injury to the installer and damage to the machine. Incorrect installation may burn the motherboard and other components.
3. To avoid any damages, please do not use product for any purpose other than its intended use.
4. Any modification may damage the product
5. Please remove all internal devices before shipping or moving. (Including power supply, hard drive, CD-ROM, motherboard, CPU, etc.)

❖ Warranty

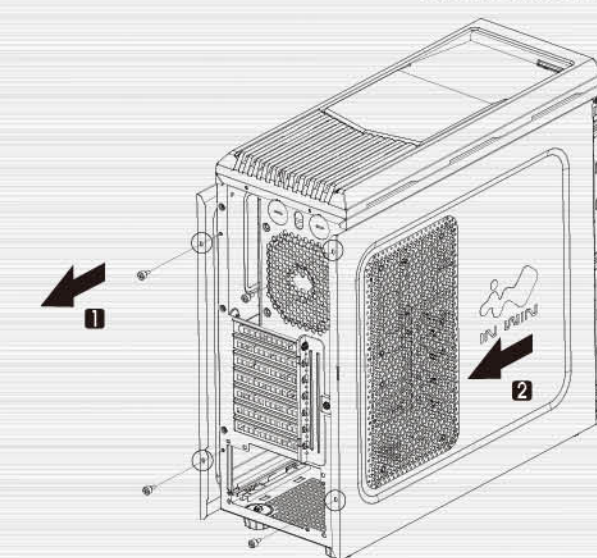
For more detailed warranty information, please visit the In Win retail website at www.inwin-style.com

* The actual product is subject to change without prior notice. In Win Development Inc. reserves the right to make final modifications.

Installation Guide (Please follow the related chapters to assemble)

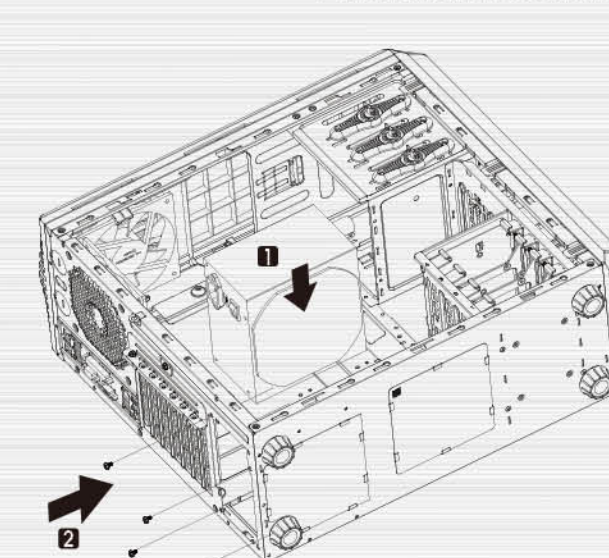
1. Opening the Chassis

Parts Required: None



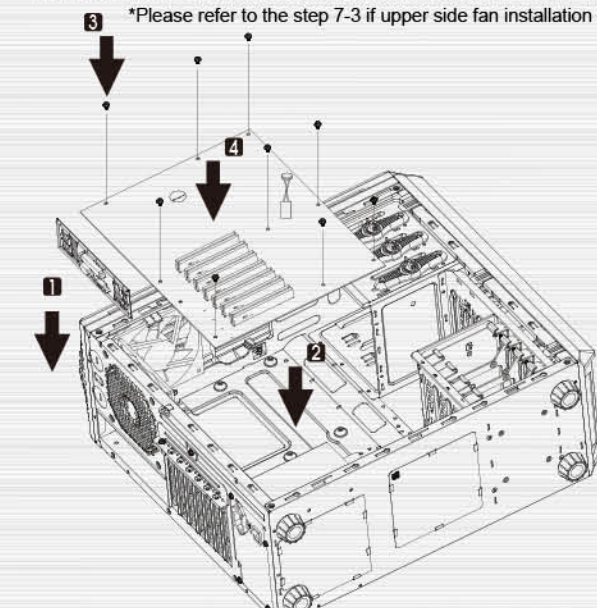
2. Power Supply Installation

Parts Required: PSU screws



3. Motherboard Installation

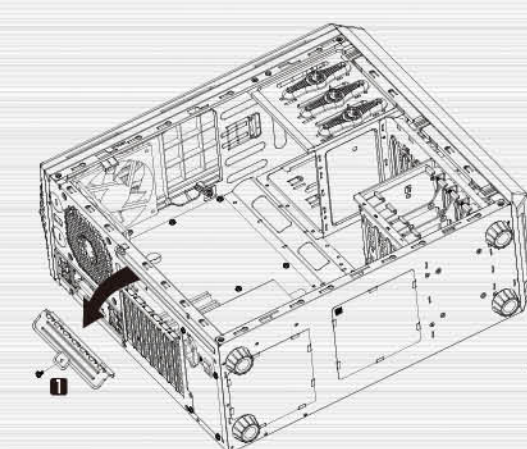
Parts Required: Motherboard screws / Motherboard standoffs
*Please refer to the step 7-3 if upper side fan installation needed



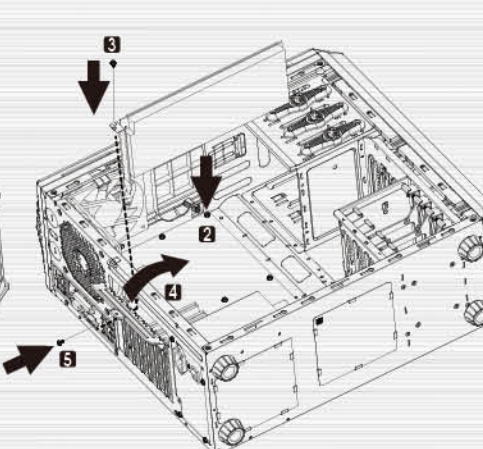
4. Add-on Card (PCI/AGP) Installation

Parts Required: None

4-1 Add-on Card PCI-E Installation

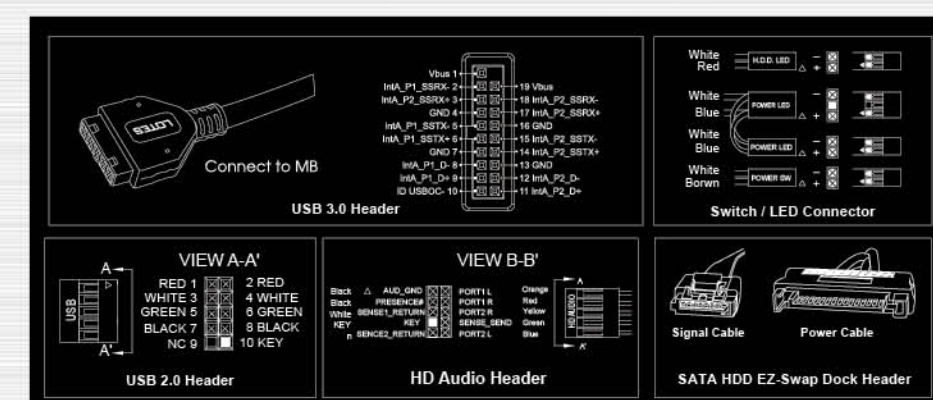


4-2 Add-on Card PCI-E Installation



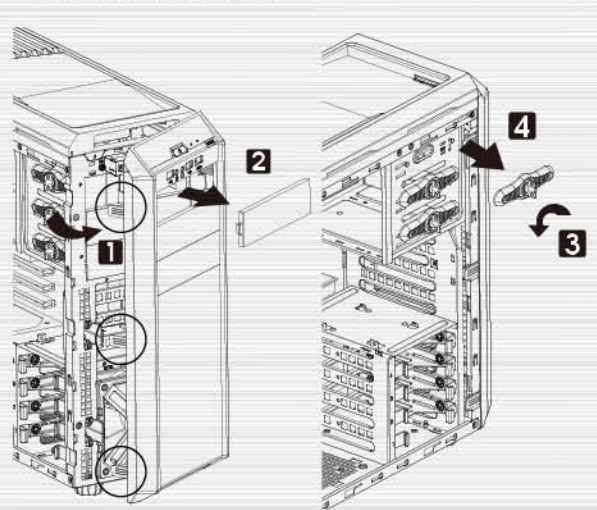
5. I/O Wires Installation

Parts Required: None

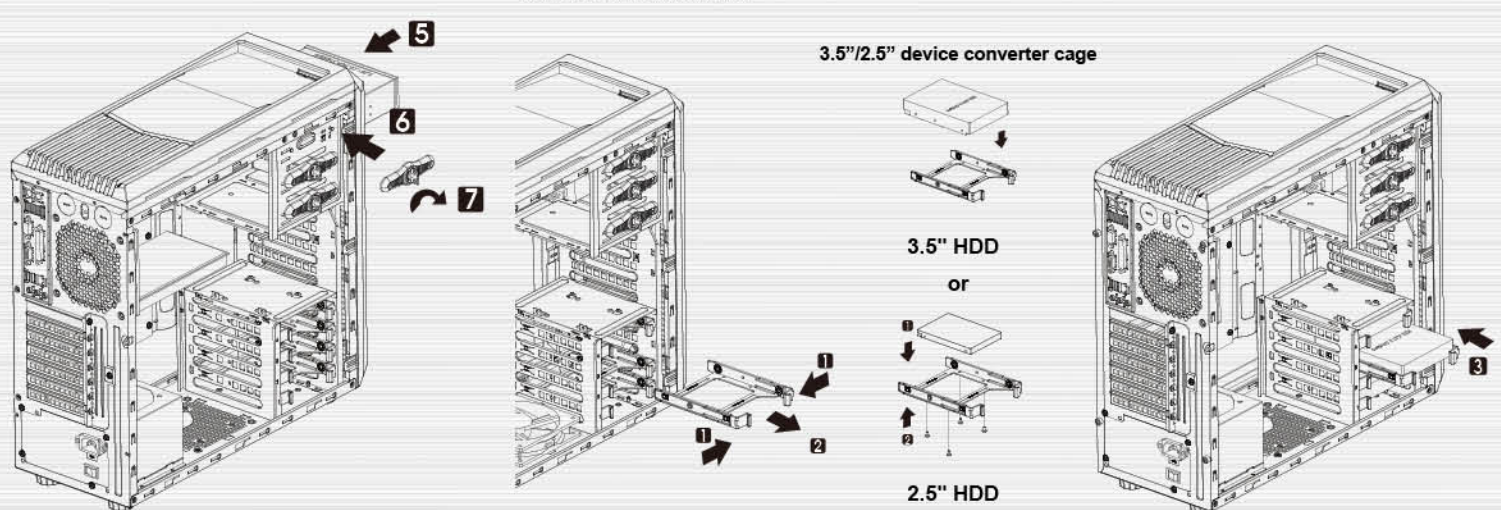


6. 5.25", 3.5" and 2.5" Drive Bays Installation

6-1. ODD Installation



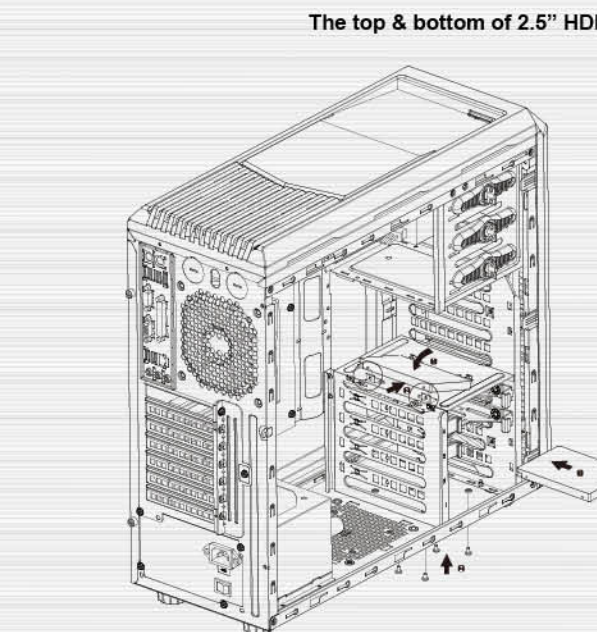
6-2. HDD Installation



6. 5.25", 3.5" and 2.5" Drive Bays Installation

Parts Required: 2.5" HDD screws

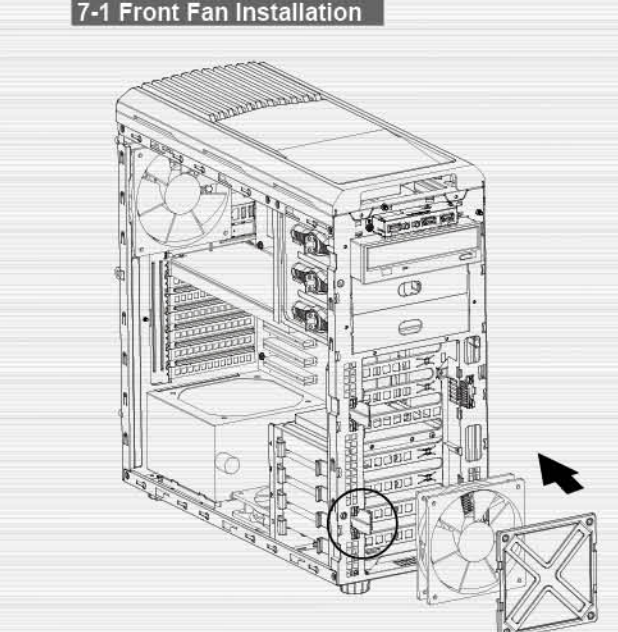
The top & bottom of 2.5" HDD



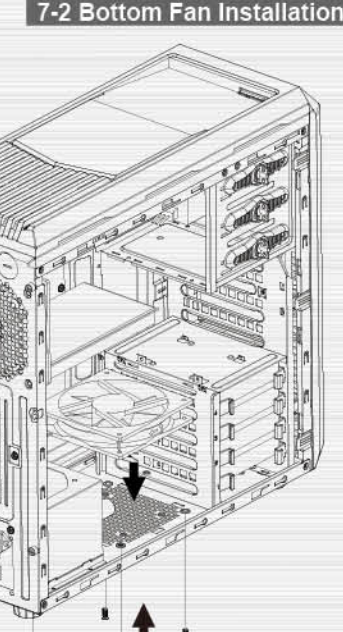
7. Thermal Solution System Installation (Optional)

* Different Regions May Carry Different Fan Types, Fan Quantities and Specifications
* This Product Comes With Fan Speed Control. Please Refer to In-Win E&H Fan Activated by 5V. (Other Fans May Not be Supported by the Fan Speed Control)

7-1 Front Fan Installation



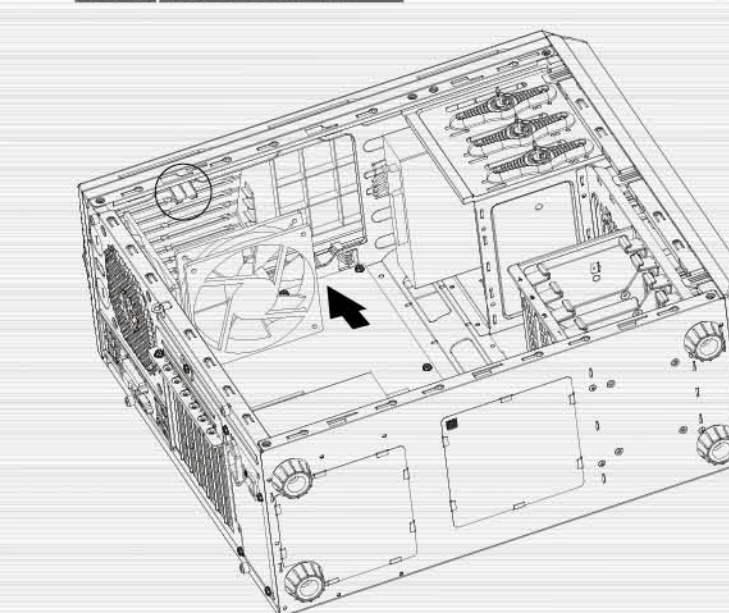
7-2 Bottom Fan Installation



7. Thermal Solution System Installation (Optional)

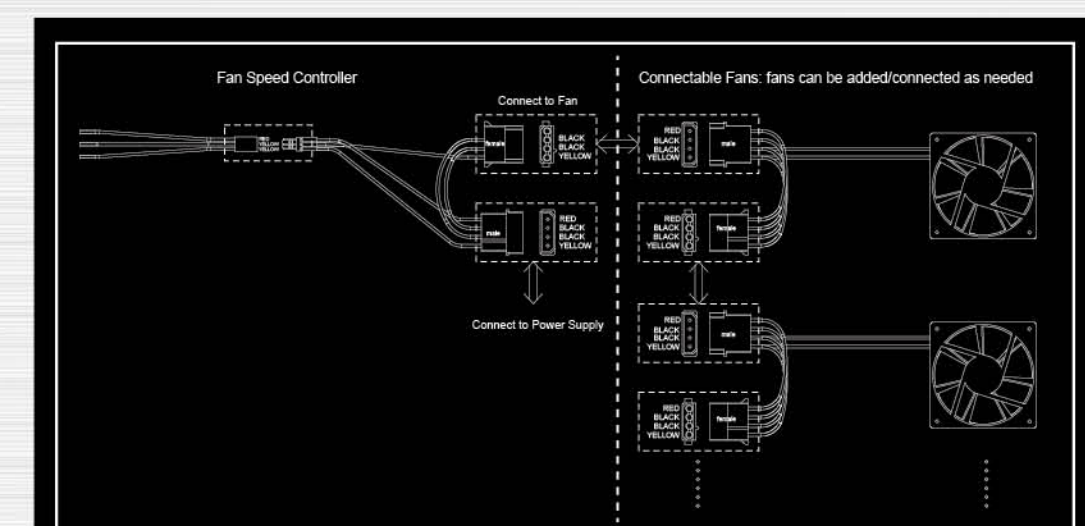
Parts Required: None

7-3 Top Fan Installation



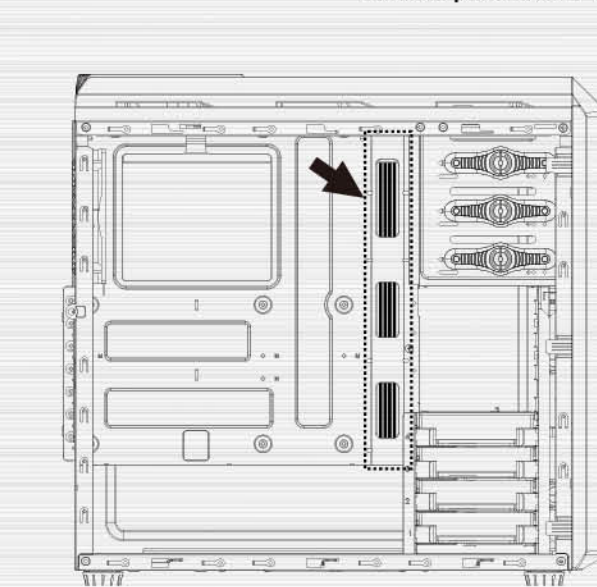
7-4 Fan Speed Controller Installation

* Switch to Turbo per Customer's Request



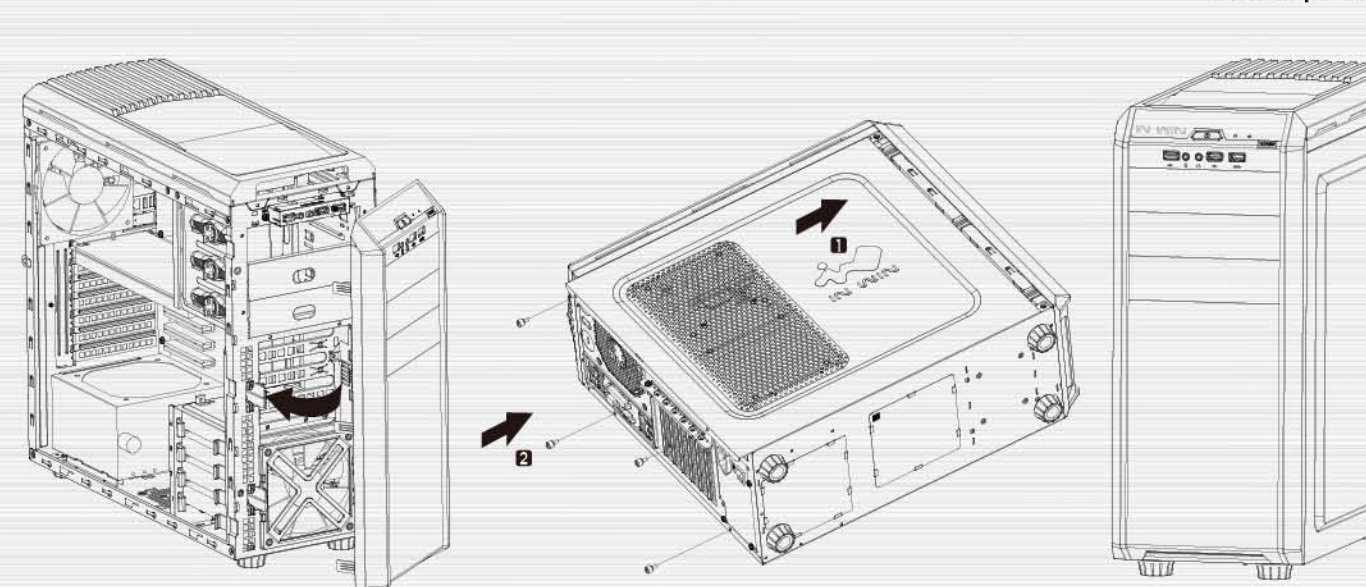
8. Cable Management


Parts Required: Cable Tie




9. Completing Installation

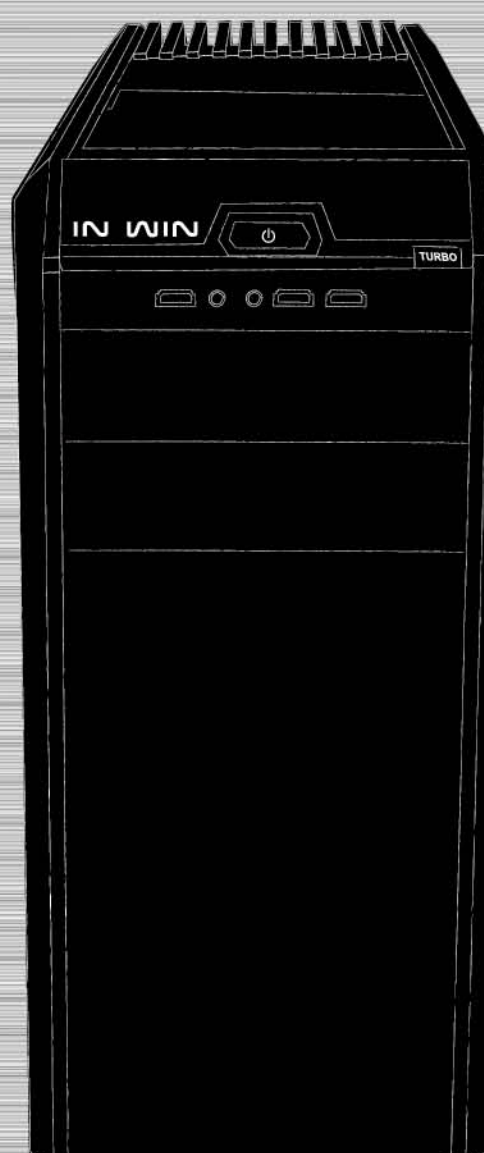
Parts Required: None





CONTEMPORARY & INNOVATIVE
In Win Development Inc.





• User Manual
• 使用手冊
• Manuel de l'utilisateur
• Bedienungsanleitung
• Manual del Usuario
• Kullanım Kilavuzu
• Руководство по эксплуатации
• 取扱説明書

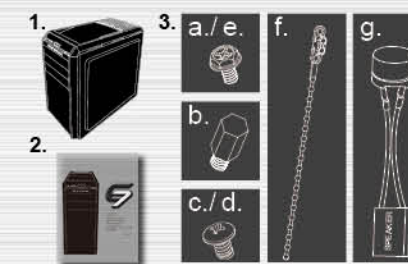
Version 1.0

www.inwin-style.com
Copyright © 2012 IN WIN DEVELOPMENT INC. All Rights Reserved.

使用手冊 · 繁體中文

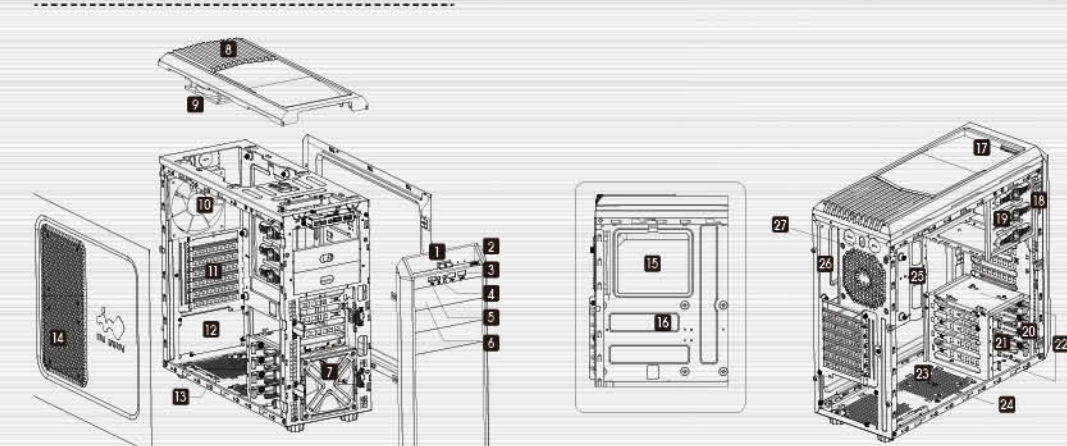
包裝內容

1. G7 機殼 x 1
2. 使用手冊 x 1
3. 零件包 x 1:
 - a 主機板 / 介面卡固定螺絲 x 11
 - b 主機板固定鋼柱 x 3
 - c 光碟機固定螺絲 x 4
 - d 2.5" 硬碟固定螺絲 x 6
 - e 電源供應器固定螺絲 x 4
 - f 束線帶 x 3
 - g 蜂鳴器 x 1



機體結構

- 1 電源開關
- 2 風扇轉速控制開關
- 3 USB 3.0 插槽
- 4 音源插孔 (耳機和麥克風)
- 5 USB 2.0 插槽
- 6 5.25" 磁碟裝置插板
- 7 120mm 前風扇安裝區
- 8 頂部散熱孔
- 9 120mm 上風扇安裝區
- 10 120mm 後風扇安裝區
- 11 介面卡PCI-E 擴充槽
- 12 電源供應器安裝區
- 13 電源供應器防塵濾網
- 14 120mm前風扇安裝區
- 15 CPU散熱器快速安裝孔
- 16 主機板安裝區
- 17 SATA硬碟/固態硬碟易插拔插座
- 18 外置式5.25"磁碟槽
- 19 5.25"磁碟架工具扣具
- 20 內建式3.5"/2.5"磁碟槽
- 21 3.5"/2.5"磁碟抽取架
- 22 2.5"磁碟槽
- 23 120mm下風扇安裝區
- 24 下風扇防塵濾網
- 25 理線區
- 26 輸出/入區
- 27 水洩孔



規格

機殼型式	直立式中規機殼
材質	0.6 mm SECC環保鍍錫鋼板結構
磁碟槽	• 外置式 3.5"/2.5" x 4, 2.5" x 2 • 內建式 3.5"/2.5" x 4, 2.5" x 2
主機板相容	ATX / Micro-ATX
電源供應器	適用ATX 12V / PS II規格
介面卡擴充槽	PCI-E介面卡擴充槽 x 7 (最長可達408mm)
上置輸出/入埠	3.5"/2.5" SATA HDD易插拔 x 1 • USB 3.0 x 1 (內接式) • USB 2.0 x 2 • HD Audio • 風扇轉速控制開關
散熱系統	總計支援 120mm 風扇 x 7 (視當地出貨規格而定) • 前 - 最多支援120mm 風扇 x 2 • 後 - 最多支援120mm 風扇 x 1 • 側 - 最多支援120mm 風扇 x 2 • 上 - 最多支援120mm 風扇 x 1 • 下 - 最多支援120mm 風扇 x 1 • 支援水冷系統
尺寸 (H x W x D)	461 x 198 x 479mm (18.1" x 7.8" x 18.9")

* 產品規格若有變更, 恕不另行通知。

注意事項和保固範圍

❖ 注意事項

1. 安裝電腦產品的過程中, 請戴上靜電環及手套進行安裝, 否則可能會導致人員及機器的傷害與損壞。錯誤的接線安裝, 嚴重時可能導致主機板及其他零件燒毀。
2. 請確實遵循本使用手冊之指示進行安裝!
3. 請勿使用錯誤方法進行操作或採取指定範圍以外之用途, 以免導致本產品及電腦相關裝置損壞。
4. 請勿將本產品進行改裝使用, 以免發生故障。
5. 如無故障, 請先卸下機殼內所有裝置, 包含電源供應器、硬碟、光碟機、主機板、散熱器等, 以免造成本產品及電腦相關裝置損壞。

❖ 保固範圍

本產品之保固範圍及內容等相關資訊, 請至迎廣網站 www.inwin-style.com 查詢。

* 產品請以實際出貨內容為準, 迎廣科技保留最終修改權利。

